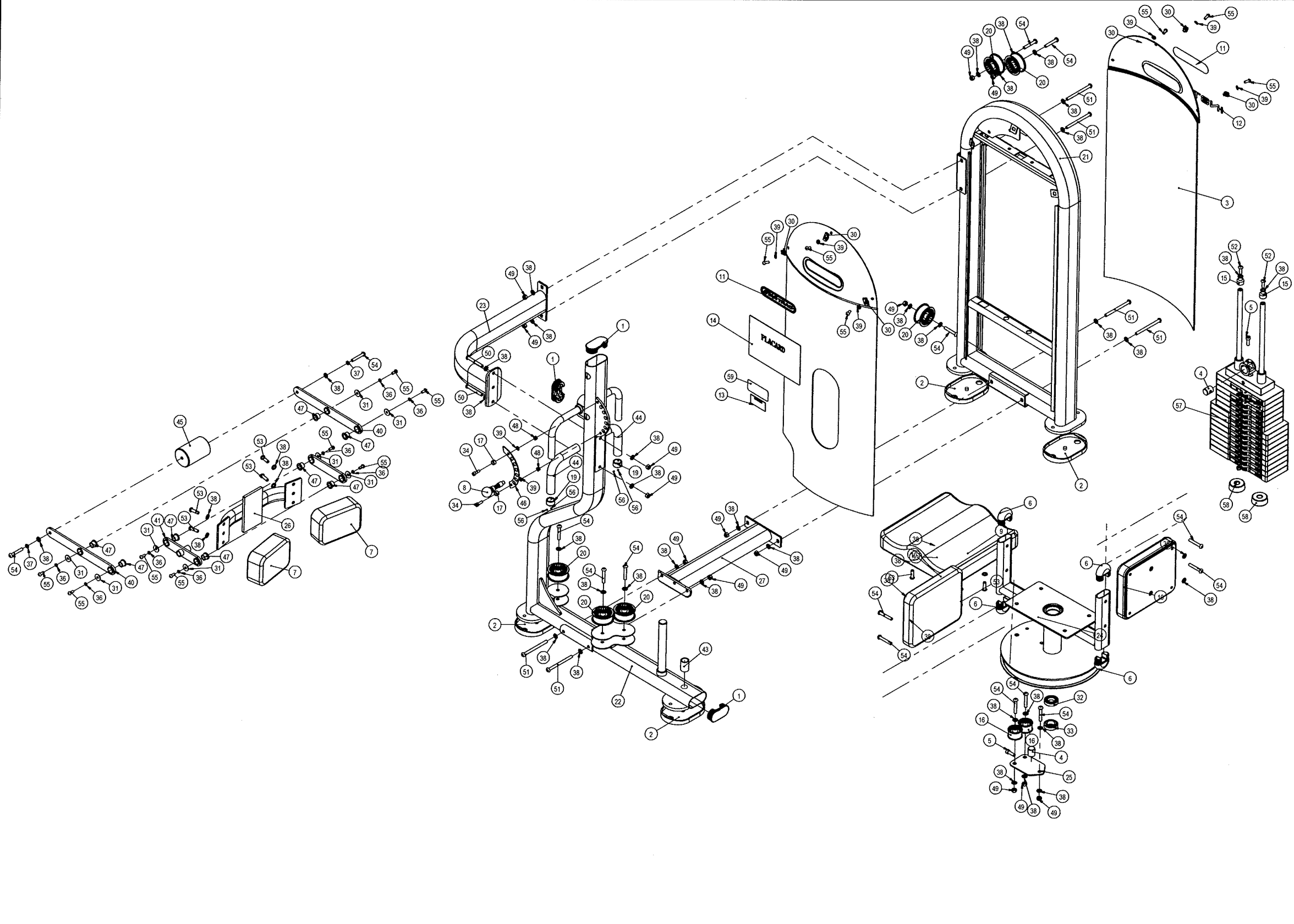


REVISION HISTORY				
REV	DATE	DESCRIPTION	ECO	BY
A	10/31/07	PRODUCTION RELEASE	11956	AK



ITEM NO.	STAR TRAC PIN	PART NUMBER	DESCRIPTION	QTY.
1	730-0199	H2-A095	CAP,TUBE,IN-7200	3
2	730-0216	IN-B75030900	PAD,FOOT,FRAME,WELDED	4
3	730-0233	IN-S10121500	SHROUD,REAR,IN-S5100	1
4	730-0236	IN-S10121700	PIN,BELT ANCHOR	2
5	730-0237	GB70M10-30A2-70NL	SCREW,M10x30,SH,SS	2
6	730-0292	IN-S21003000	CAP,ARMS,IN-S2100	4
7	730-0309	IN-S63003200	PAD,BACK,SUPPORT,IN-S6300	2
8	730-0323	IN-S63001600	ASSY,SPRING PIN,IN-S6300	1
9	730-0324	IN-S63003000	PAD,KNEEL,IN-D6300	1
10	730-0325	IN-S63003100	PAD,SIDE LEGS,IN-S6300	2
11	730-0383	STARTRAC1	LOGO,STARTRAC	2
12	730-0384	Instinct	LOGO,INSTINCT	1
13	730-0385	CAUTION	LABEL,CAUTION PINCH POINT	1
14	730-0408	ITZS56300	PLACARD,INSTRUCTION,IN-S6300	1
15	730-0565	IT80129500	CAP,END,HANDLE	2
16	730-0663	IN-S63001400	PULLEY,52MM	2
17	730-0679	IN-S10112000	BUMPER,SHS,M10,RUBBER,STOPPER	2
18	730-0702	IN-D10132800	SHROUD,UPPER	2
19	730-0704	IN-B72001200	CAP,25MM,ALUMINUM	2
20	730-0721	IN-S51101000	PULLEY,75MM	6
21	730-0769	IN-S63000100	WEIGHT STACK,FRAME	1
22	730-0770	IN-S63000200	ASSY,MAIN FRAME	1
23	730-0771	IN-S63000300	CROSSBEAM,UPPER,FRAME	1
24	730-0772	IN-S63000400	ASSY,ROTARY SEAT,FRAME	1
25	730-0773	IN-S63000500	BELT,RETAINER,BRACKET	1
26	730-0774	IN-S63000600	FRAME,FIX,CHEST,PAD,BRACKET	1
27	730-0775	IN-S63001000	CROSSBEAM,LOWER,FRAME	1
28	730-0778	IN-S10112000	BELT	1
29	730-0780	IN-S63003700	WEIGHT STACK,GUIDE RAIL	2
30	730-0845	IN-S21004800	SHROUD,MOUNTING,U-STYLE,CLIP	6
31	730-0878	D08DG2B	WASHER,8M,FENDER,FLAT,SS	8
32	730-0880	GB2766006-2Z	BALL BEARING,25MM ID,42MM OD	1
33	730-0882	GB32005X	BEARING,30MM ID,55MM OD	1
34	730-0890	GB70M8-25A2-70	SCREW,M8x25,SH,SS	2
35	730-0903	GB894,130DHS12	RETAINING SNAP RING,24MM ID,30MM OD	1
36	730-0905	GB938DG12	WASHER,M8,SPLIT,LOCK,SS	8
37	730-0907	GB9310DG12	WASHER,M10,SPLIT,LOCK,SS	5
38	730-0908	GB9510A2-70	WASHER,M10,FLAT,SS	50
39	730-0910	GB958A2-70	WASHER,M8,BELLEVILLE,SS	8
40	730-1088	IN-S63000700	ASSY,CHEST,PAD,BRACE	2
41	730-1089	IN-S63000800	ASSY,CHEST,PAD,PULL ADJUSTMENT,BRACE	1
42	730-1090	IN-S63000900	ASSY,CHEST,PAD,SMALL,BRACE	1
43	730-1091	IN-S63002700	PAD,BUMPER,SLEEVE,M32x45	1
44	730-1092	IN-S63002800	RUBBER,HANDLE,GRIP,SLEEVE	2
45	730-1093	IN-S63002900	COUNTER BALANCE	1
46	730-1094	IN-S63003600	PLATE,ROM,STOPPER,IN-S6300	1
47	730-1097	L1-6800	BUSHING,FLANGE,M17x18	8
48	730-1103	NM8A2-70	NUT,M8,NYLON PATCH,SS	2
49	730-1104	NM10A2-70	NUT,M10,NYLON PATCH,SS	17
50	730-1109	PNLM10-80A2-70	SCREW,M10x80,BH,SS	2
51	730-1112	PNLM10-130A2-70	SCREW,M10x130,BH,SS	6
52	730-1118	PNLM10-30A2-70	SCREW,M10,BHC,HK,SS	2
53	730-1119	PNLM10-35A2-70	SCREW,M10x35,BH,SS	8
54	730-1122	PNLM10-63A2-70	SCREW,M10x63,BHC,SS	15
55	730-1138	PNLM8-20A2-70	SCREW,M8x20,BHC,SS	14
56	730-1155	YZGB7710-32x3.2DS2	SCREW,10-32x3.2,SET	4
57	730-1399	730-1399	WSA-LNL,180L,15H	1
58	730-1448	IT80023000	BUMPER,STACK,25,4MM	2
59	730-1491	730-1491	LABEL,INSTRUCTIONS,LOCK N LOAD	1
60	730-1337	730-1337	SHROUD,LNL,S6300	1

PRODUCTION RELEASE

UNLESS OTHERWISE SPECIFIED DIMS ARE IN mm
TOLERANCES FOR MEASURE OF LENGTH ARE:

CLASS OF WORK	TOLERANCES FOR MEASURE OF LENGTH ARE:					ANGLES ± 2°
	0.5 to 2.5	2.5 to 6.3	6.3 to 12.5	12.5 to 25.0	25.0 to 100.0	
FINE	±0.05	±0.05	±0.1	±0.15	±0.2	±0.5
MEDIUM	±0.1	±0.1	±0.2	±0.3	±0.5	±1.2
COARSE	±0.2	±0.3	±0.5	±0.8	±1.2	±3
VERY COARSE	±0.5	±1	±1.5	±2.5	±4	±8

MATERIAL SEE BOM
FINISH FRAME COLOR: STAR TRAC SILVER (HP FULLER) UPHOLSTERY COLOR: STAR TRAC GRAY (SLATE)
VENDOR: N/A

UNISEN, INC. DBA 14410 Myford Road Irvine CA 92606
STAR TRAC

DATE: 10/31/07
DRAWN: AK
CHECKED: [Signature]
APPROVED: [Signature]

91L-S6300-13BSS
IN,SSS,ROTARY TORSO

SCALE: 1:20 SHEET 1 OF 1 SHEET SIZE: B